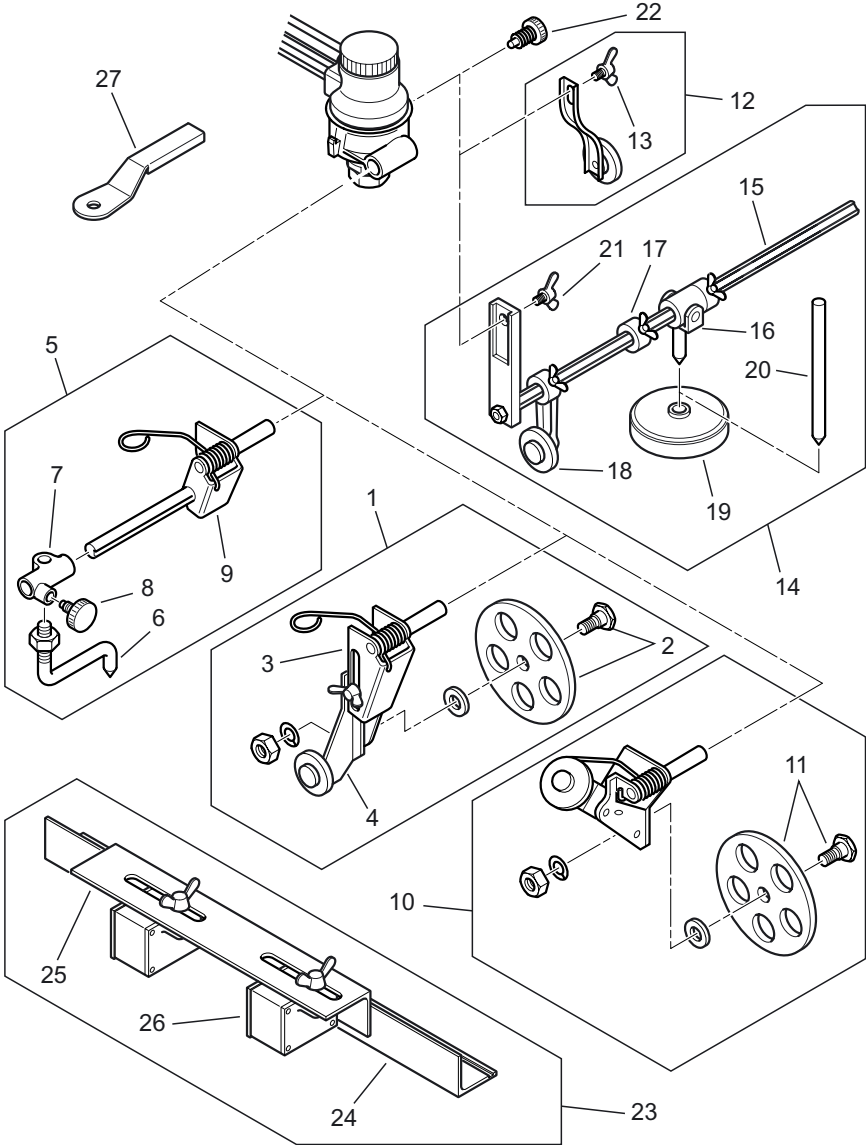


9.2 Option units



Option units				
Item no.	Description	Q'ty	Stock no.	Remarks
1	Standard wheel assembly	1	60030100	
2	Ø78 drive wheel	1	60030107	With shaft and nut
3	Standard wheel bracket	1	60030108	
4	Guide Wheel	1	60030109	
5	Small circle cutting attachment	1	61001597	
6	Centering needle	1	61001556	
7	Centering needle holder	1	60030113	
8	Radius setting knob	1	60030114	
9	Bracket bar	1	61001599	
10	Beveling wheel assembly	1	60030102	
11	Beveling wheel	1	60030110	With shaft and nut
12	Auxiliary wheel assembly	1	60030101	
13	Wing nut	1	60030126	
14	Large circle cutting assy.	1	60030106	
15	Bar Ø500	1	60030120	
16	Free holder	1	60030121	
17	Stop collar	1	60030122	With wing bolt
18	Support roller	1	60030123	
19	Magnet	1	60030124	
20	Magnet center	1	60030125	
21	Wing nut	1	60030127	
22	Clutch knob	1	60030115	
23	Straight rail assembly	1	60030104	
24	Rail	1	60030117	
25	Rail bracket	1	60030118	
26	Magnet	1	60030119	
27	Guide lever	1	60030105	