

**A MAX THAT SURPASSED THE MAX ...
That is IK-12 MAX 3!**

- **Advanced Form**
Many cut-off spaces of the upper body makes observation of the wheel positions easier.
- **All-round Flat Surface**
A universal type of flat surface usable for welding, plasma cutting, heating and defect detecting.
- **Smooth Speed Adjusting Dial**
An easy accustoming design with a vernier to enable micro-adjustment.
- **Convenient Tip Support**
Protecting the cutting tip from flaws, a convenient support to hold 3 tips.
- **Sharply Designed Speed Dial**
- **Bright Pilot Lamp**
A bright lamp to indicate power ON.
- **Strong Heat Proof Board**
Use of ceramic fibers remarkably improves heat proof effect.
- **Light Clutch Handle**
One of the important working elements that should be always reliable during operation. Nicely fitting to the operators hand.
- **Improvement of Workability in Circle Cutting**
Lower part of the body is cut open widely, which makes circle cutting easier.
- **Seat for fixing the Auxiliary Stability Wheel**
This is designed to install the 4-wheel structure for better stability.



IK-12 MAX3

PORTABLE FLAME CUTTING SYSTEM



 **KOIKE INTERNATIONAL GROUP**

- | | | |
|--|--|---|
| <p>KOIKE EUROPE B.V.
Grote Tocht 19,
1507 CG Zaandam, Holland.
Tel: +31 (0)75 - 612 72 27
Fax: +31 (0)75 - 670 22 71
www.koike.nl</p> | <p>KOIKE FRANCE S.A.R.L.
BP 58, 59584 Marly Cedex
Tel: +33 (0)3 - 2730 4343
Fax: +33 (0)3 - 2730 1250</p> | <p>KOIKE UK Ltd
97 Ashkirk
Dudley, Cramlington
Northumberland
NE23 7DG
Tel: +44 (0)191 250 17 18
Fax: +44 (0)191 250 29 03</p> |
| <p>KOIKE SANJO KOGYO CO.,LTD.
www.koikeox.co.jp</p> | <p>KOIKE KOREA ENGINEERING CO.,LTD.</p> | <p>KOIKE ARONSON, INC.
www.koike.com</p> |

Specifications shown herein are subject to change without notice.

Distributed by:

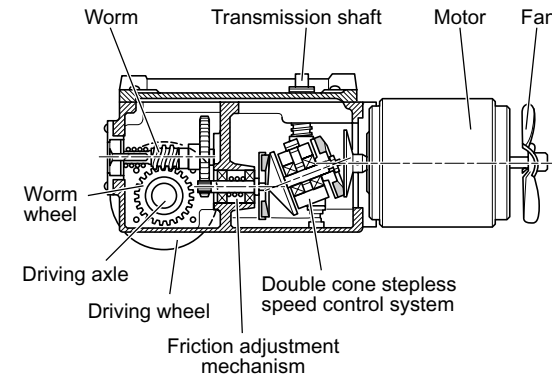
KOIKE SANJO KOGYO CO.,LTD.

IK-12 MAX3 is a new generation machine applicable not only to gas/plasma cutting but as a welding carriage!! MAXIMUM... IK-12 MAX3, true to its name, has been highly rated among the portable flame cutting machines. Exploring the "MAXIMUM" in the new age, IK-12 MAX3 is redesigned into IK-12 MAX 3. Body structure is systematized to apply to different types of work and meet the needs of plasma cutting and automatic welding. Since 3 major parts of the system – (1) travelling carriage, (2) cutting torch unit and (3) plate track and accessories – are functionally worked out as independent units, selection and assortment are at the customer's disposal to create the system needed for the requirement. Try a new IK-12 MAX3 made with new technology from new materials, and enjoy "maximum efficiency", "maximum versatility" and maximum productivity".

PART 1 Travelling carriage

Not affected by intense heat and fluctuating voltage, the maximum driving mechanism ensures steady travelling.

Speed Control Mechanism of IK-12 MAX3 has adopted an exclusive Double Cone Stepless Speed control system (See the drawing), developed by KOIKE, which functions with a condensor motor rotating at regular speed to prevent heat and voltage problems from occurring. No reduction gear is employed in the mechanism. Therefore, any knocking from backlash, noise or vibration does not take place. With entire use of heat-resisting grease, high temperature soldering and Teflon wiring, heat protection is considered perfect and durable for long continuous operation. In addition, the condensor motor rotating at a constant low speed (1,500 r.p.m./50Hz) prolongs the service life of bearings and maintains the "maximum state" for a long period of time.



Specifications

Cutting speed (Standard type)	80~800 mm (3~31")/ min.
Travelling speed (High Speed type)	240~2.400 (9~95")/ min.
Speed control	Double cone stepless speed control system
Speed meter	Dial Indication (w/conversion scale)
Power	42/110/220V AC
Machine dimensions	length 430 mm (17") width 170 mm (7") height 215 mm (8,5")
Max. loading weight	50 kg (110 lbs)
Weight	10 kg (22 lbs)

PART 2 Cutting torch unit

Cutting Torch Units of 8 kinds able to perform I to V; K, X cutting. See how sharply it cuts.

■ S-100 – for square of V-bevel cutting

A single torch unit equipped with a simple holder having no floating function. Standard Pipe Arm Length: 350 mm (14"). Vertical axis steel pipe and Vertical adjustment up to 80 mm (3")

■ S-200 – for square, V, Y or X-bevel cutting

2 torch model of S-100. Standard Pipe Arm Length: 500 mm (20"). Balance weight attached. Bevel cutting and parallel cutting both possible.

■ SP-100 – for square of V-bevel cutting*

A single torch unit equipped with a panta-holder having floating function to maintain the distance between tip and workpiece. Standard Pipe Arm Length: 350 mm (14"). Vertical axis steel pipe and Vertical adjustment is up to 120 mm (5").

■ SP-200 – for square, V, Y, or X-bevel cutting*

2 torch model of SP-100. Standard Pipe Arm Length: 500 mm (20") – Balance weight attached. Bevel cutting and parallel cutting possible.

■ SP-300 (V-Cutting Unit) – for square, V, Y, or X-bevel cutting*

A combination unit of panta-holder having floating function and 2 torches of V bevel block. Clean and sharp bevel V, Y and X cutting is ensured.

■ SP-400 (X-Cutting Unit) – for square, V, Y, X or K-bevel cutting*

A combination unit of panta-holder having floating function and 3 torches of X bevel block. Clean and sharp X and K bevel cutting is ensured.

■ L-100 (Thick Plate Cutting Unit)

A single torch unit that has been specially developed for quality cutting of thick plate up to 300 mm (12"). A distribution unit equipped with pressure gauge.

■ EPOCH 300/600 (EPOCH Thick Plate Cutting Unit)

A single torch unit having an EPOCH cutting tip of special structure designed exclusively for thick plate cutting. A distribution unit equipped with pressure gauge.

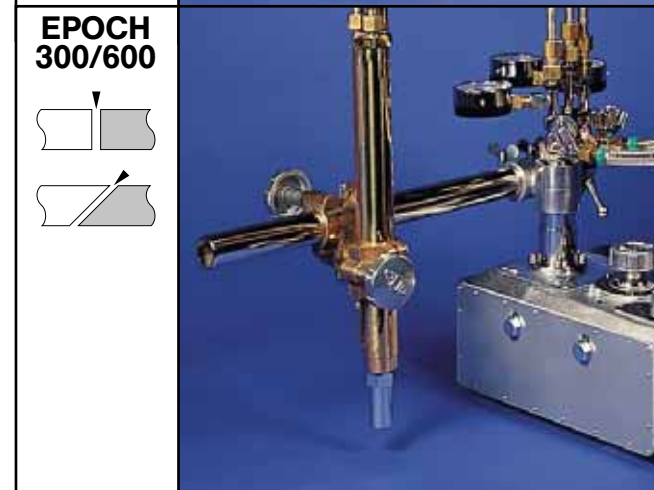
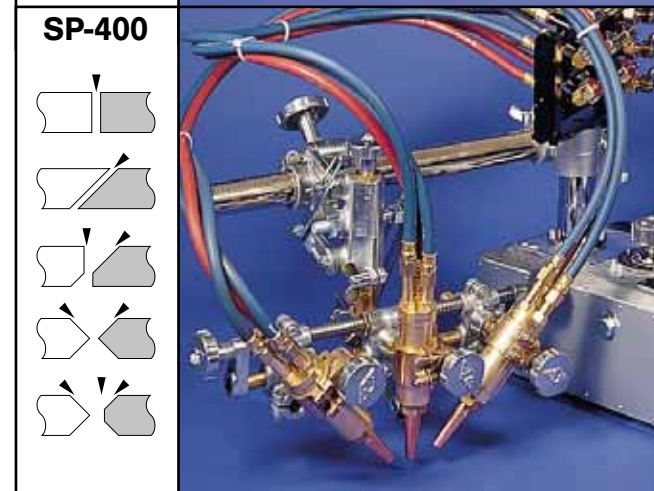
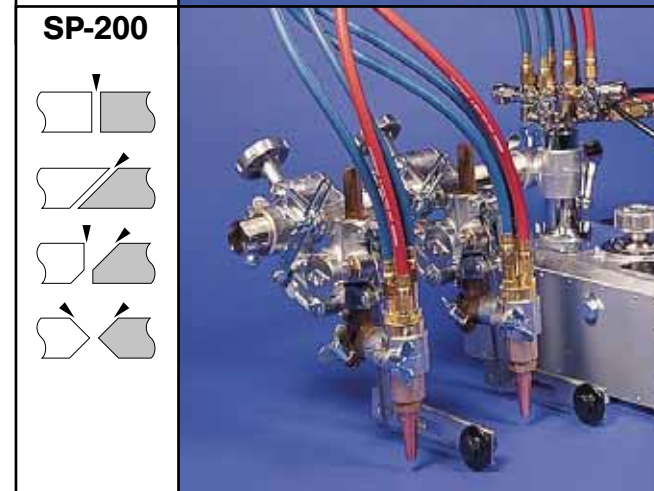
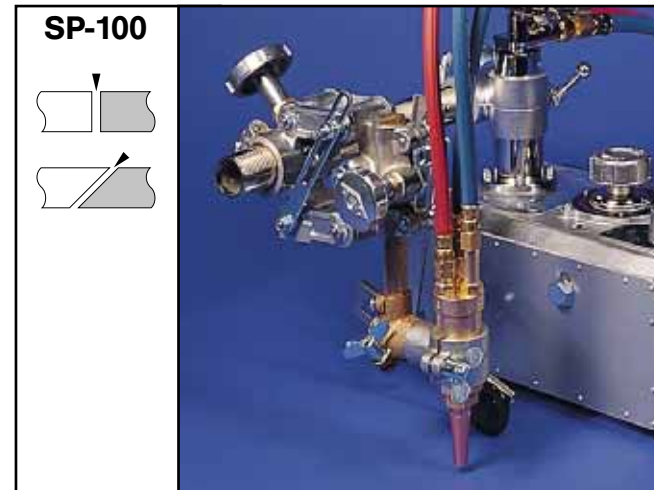
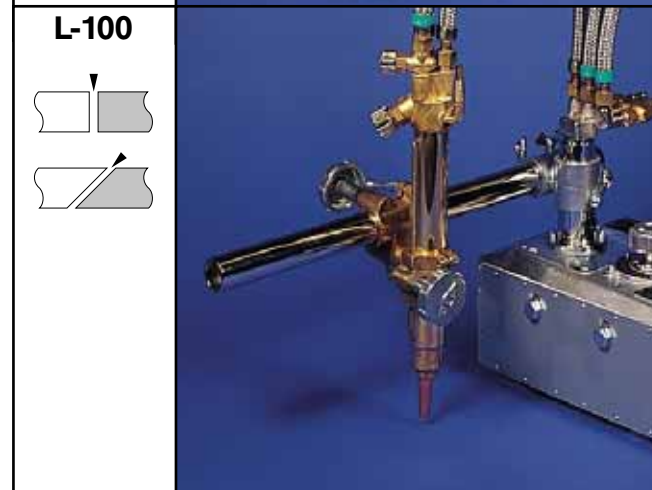
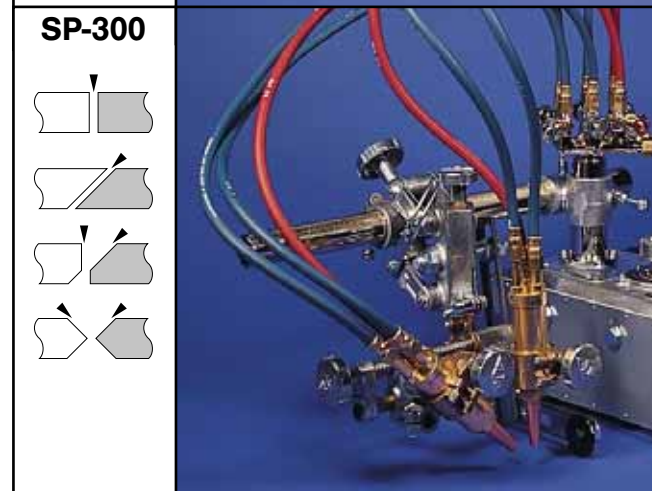
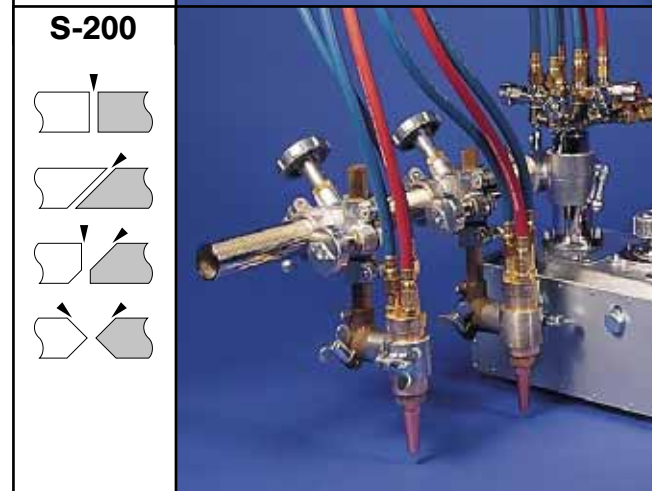
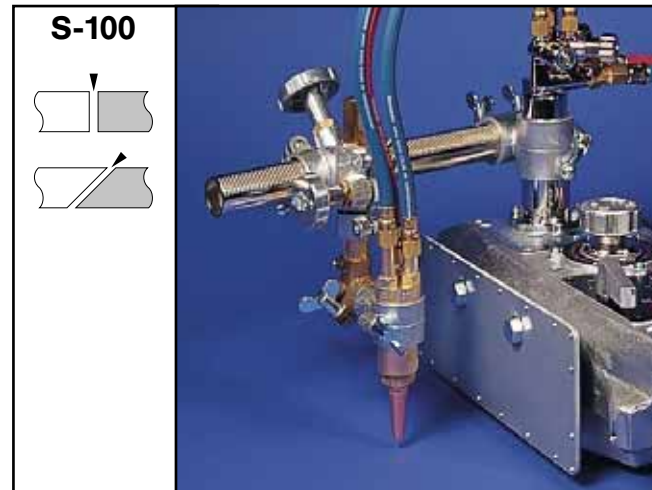
Cutting Thickness:

100 – 300 mm (4"~12") (using tip model EPOCH 300)

300 – 600 mm (12"~24") (using tip model EPOCH 600)

Can only be used with propane gas.

*With floating device



PART 3 Plate track and accessories

Optional accessories

■ Rail

Each track of 1,8 m (72") long is extensible to the requirement.

■ Circle Cutting Rail

Recommended for cutting circles of comparatively large diameter.

Cutting Range:

40~360 mm Ø (1,5"~14" Ø) at inside, and

1.150~2.400 mm Ø (46"~48" Ø) at outside

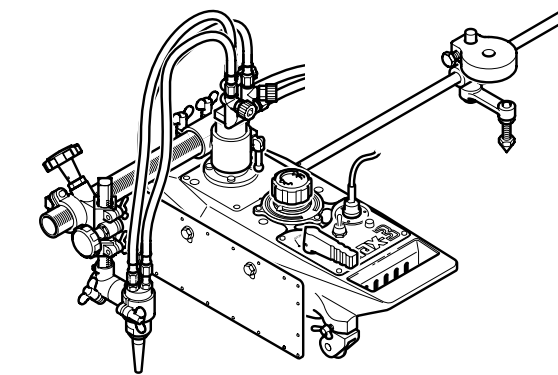


■ Circle Cutting Attachments (Adjustable Radius Bar)

They are mounted on the main body.

Recommended for cutting circles of large diameter.

Cutting Range 50~2.400 mm Ø (2"~96" Ø)



■ Heavy Duty Track for Thick Plate Cutting

Each track of 1,8 m (171") is extensible to the requirement.

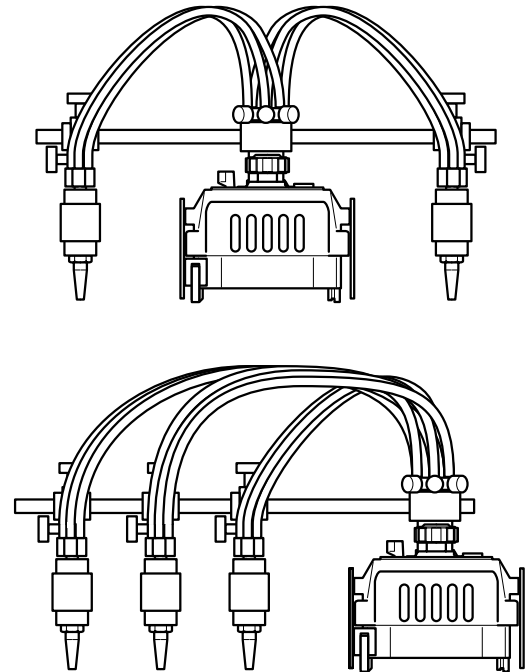
Heavy duty track is most appropriate for L-100 and Epoch 300/600 torch set.

■ Pipe Arm (Long Type)

Parallel cutting of wide products can be made with multiple torches.

[Type] 500 mm (20"), 1.000 mm (40"), 2.500 mm (100")

Application Example of Pipe Arm (Long Type)



Included accessories

Standard accessories delivered with the IK-12 MAX3 traveling carriage are: 5 m (196") cabtyre cord

Standard accessories delivered with the torch set(s) are:
0-1-2 tips (100 Series for any fuel gas), tip cleaner, lighter, tool set, 3 hoses (from torch to valve) (depending on number of torches).